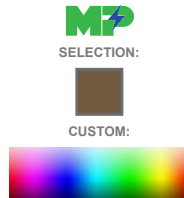


# LFX-XLSERIES

Outdoor Lighting

**WESTGATE**  
THE FUTURE IS HERE...AND IT'S QUITE BRIGHT!

LFX-XL-150-300W-30K  
LFX-XL-150-300W-40K  
LFX-XL-150-300W-50K



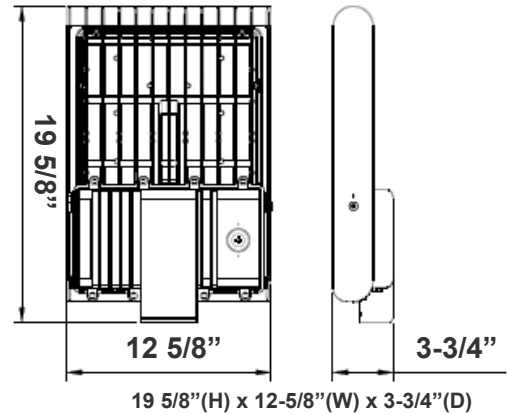
Ideal for general site lighting, alleys, loading docks, doorway, pathway, and parking areas.

Customer Name: \_\_\_\_\_

Project Name: \_\_\_\_\_

Note: \_\_\_\_\_

Type: \_\_\_\_\_



## Features

- DLC Premium & LED High-Lumen Flood lights
- Solid State Lighting Technology for Long Life
- No Maintenance Needed and High-Efficiency
- 70,000 Hours Rated Life
- 7-Year Warranty
- Optic Lens Type: III
- Multi-Power - The Switch is On the Bottom of the Fixture

## Technical Specifications

### Electrical:

- Voltage: 120~277V AC/50~60 Hz
- Wattage: 150/ 200/ 240/ 300W
- Power Factor: >0.9
- Efficacy: 135 LPW

### Mechanical:

- With Snap-on & Bolt Mounting Options for One- Person Installations. Select a Mounting Option (Sold Separately)
- Die-cast Aluminum Housing with Powder Coat Finish (Dark Bronze)
- 10KV Lightning Surge Protection
- IP Rating: IP65
- Effective Projected Areas (EPA's) are: Front = 0.38 ft<sup>2</sup>, Side = 0.30 ft<sup>2</sup>, Face = 1.05 ft<sup>2</sup>
- Operating Temperature: -40°F to 104°F
- Suitable for Wet Locations

### Lighting:

- Dimming: 0~10V dimmable
- Optic Lens Type: III
- Cord Type: 6' SJTW 18/3 AWG cable
- Total Lumens: 44000LM Max.
- Color Temperature: 3000K/ 4000K/ 5000K
- Color Rendering Index: ≥ 82
- Beam Angle: 120°X 90°

### Applications:

- Ideal for general site lighting, alleys, loading docks, doorway, pathway and parking areas.
- Replace existing HID flood lights/ wall packs

### Other Models:

- 150W | 21400LM | LFX-LG-50-150W-30K
- 150W | 21400LM | LFX-LG-50-150W-40K
- 150W | 21400LM | LFX-LG-50-150W-50K

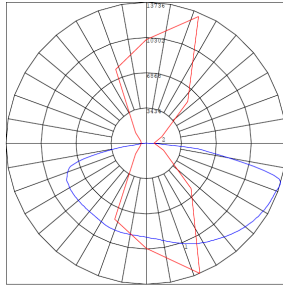
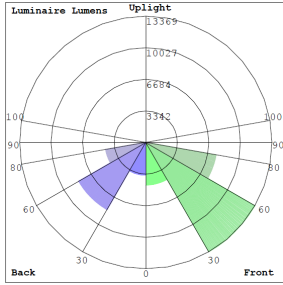


Phone: (877) 805-2252 | Fax: (877) 805-2252  
www.westgatemfg.com |

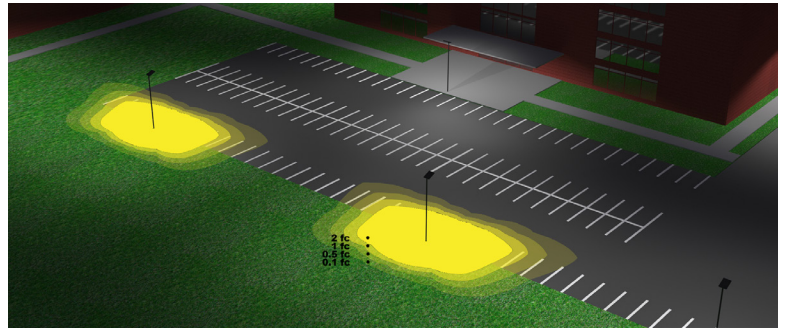


WG-ZB-Y6-2Z

## Photometrics: LFX-XL-150-300W



BUG Rating: B4-U0-G4



Area 65'x 120' Mounting Height: 20'

## Other Views:



Side View



Front View



Back View

## Performance Table: LFX-XL-150-300W

MODEL NO.	Wattage	Voltage	Lumens	Color Temp.	BUG Rating	LPW
LFX-XL-150-300W-30K LFX-XL-150-300W-40K LFX-XL-150-300W-50K	150W 200W 240W 300W	120~277V	20250LM 27000LM 32400LM 40500LM	3000K 4000K 5000K	B4-U0-G4	135

## EPA Rating:

Model	0.8	1.25	1.44	1.89	1.7	2.34
LFX-XL	0.8	1.25	1.44	1.89	1.7	2.34



# Sample Ordering

**Model Size Min.Wattage Max.Wattage Color Temp.**

LFX - XL - 150 - 300W -

30K = 3000K  
40K = 4000K  
50K = 5000K

## SENSOR AND REMOTE CONTROL OPTIONS



**WEC-8RC**  
Remote control



**OPT-SEN-3MR-3**  
Bi-Level Motion Sensor

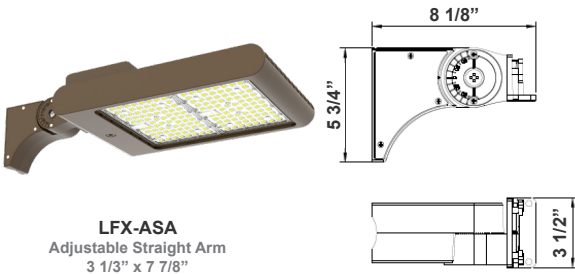
## Accessories Options

Blank = No Option for Accessories  
WEC-8RC = Remote Control for OPT-SEN-3MR-4  
\*REFER TO PAGE 3 FOR MOUNTING OPTIONS

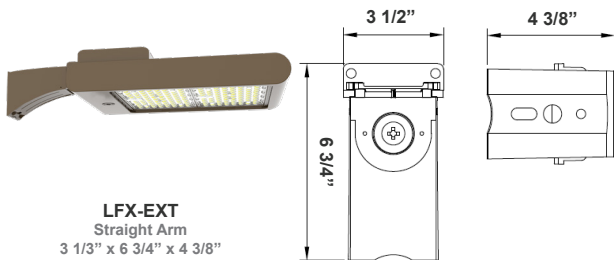
## Factory Installed Options

Blank = No Factory Installed Options  
OPT-EM-LFX-XL = External Backup Battery Box  
OPT-LFX-XL-TYPEIV = TYPE IV  
OPT-LFX-XL-TYPEV = TYPE V  
OPT\_010W/PO = 0-10V Dim. Wires Pulled Out  
OPT-CLR-95 = Color Paint  
OPT\_CIR\_MC = 260 Set up fee per project  
OPT-LF3-PCK = Twist Lock Photocell  
OPT-3MPC = Microwave Photocell with a 1/2" threaded

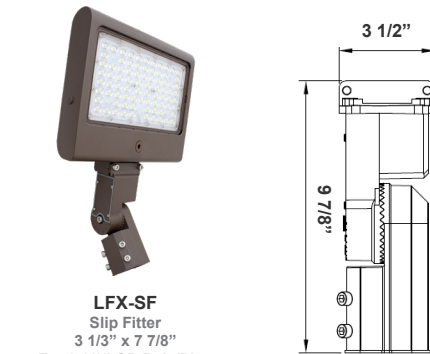
## Mounting Options:



**LFX-ASA**  
Adjustable Straight Arm  
3 1/3" x 7 7/8"



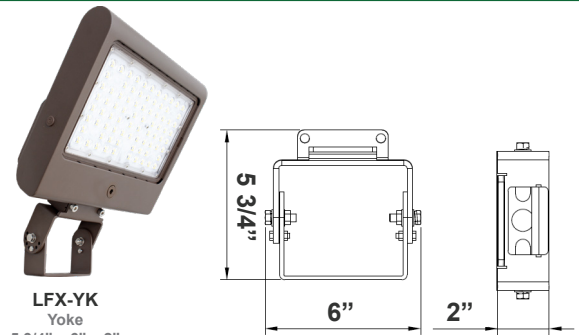
**LFX-EXT**  
Straight Arm  
3 1/3" x 6 3/4" x 4 3/8"



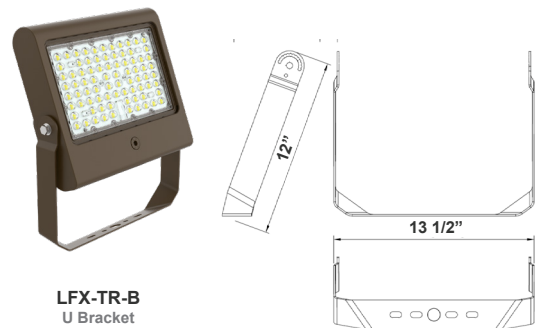
**LFX-SF**  
Slip Fitter  
3 1/3" x 7 7/8"  
For 2-3/8" OD Pole/Pipe



**LFX-AWB**  
Adjustable Wall Junction Box  
7 1/8" x 6 5/8" x 5 3/4"



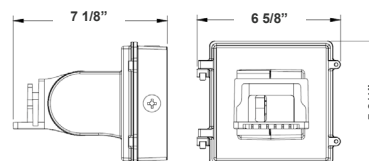
**LFX-YK**  
Yoke  
5 3/4" x 6" x 2"



**LFX-TR-B**  
U Bracket  
13 1/2" x 12"



**LFX-SF + LFX-PASF**  
Pole Adapter for Slip Fitter  
6 1/8" x 3 1/4" x 3"



**Color Options:** LFX-XL-150-300W  
 Custom Color Available

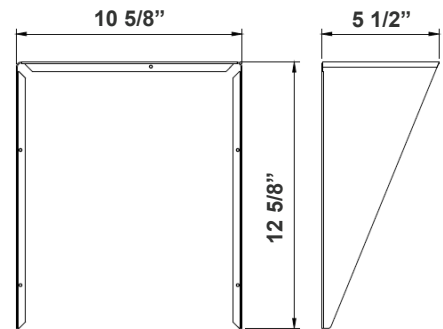
Black Silver White **Dark Bronze** Green Red Yellow  
 Default color



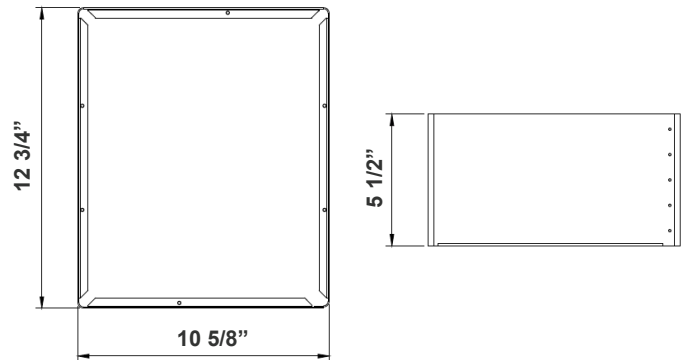
**Shroud & Wire Guard:** LFX-XL-150-300W



**LF-SHROUD-B**  
 Shroud  
 12 5/8" x 10 5/8" x 5 1/2"



**LF-SHROUD-E**  
 Full-Glare Shroud  
 12 3/4" x 10 5/8" x 5 1/2"



**LFX-WG-B**  
 Wire Guard



**COLOR CHART:** \* Choose from one of our Premium Colors with no set-up fee.

**Gloss:**



SILVER METALLIC  
70 GLOSS  
T357-GR105



SILVER METALLIC  
30 GLOSS  
T353-GR06



DARK RED 90  
GLOSS  
P009-RD02



INTERNATIONAL  
ORANGE 90  
GLOSS  
T009-OG26



SAFETY ORANGE  
90 GLOSS  
T009-OG01



YELLOW 90  
GLOSS  
T009-YL14



YELLOW 90  
GLOSS  
T009-YL01



TRAFFIC GREEN  
70 GLOSS  
T007-GN16



GREEN 70 GLOSS  
T007-GN13



GREEN 60 GLOSS  
C006-GN03



BLUE 90 GLOSS  
T009-BL01



DARK BLUE 80  
GLOSS  
T008-BL20



RAL 8028 TERRA  
BROWN 90 GLOSS  
C209-BR358

**Hammer:**



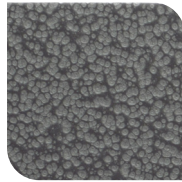
WHITE HAMMER  
T013-WH09



BEIGE HAMMER  
T013-BG38



GREY HAMMER  
C013-GR08



SILVER  
HAMMERTONE  
T064-GR05



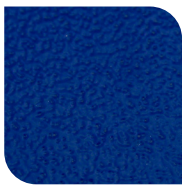
BLACK HAMMER  
T013-BK62



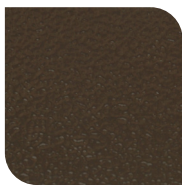
RED HAMMER  
T013-RD15



GREEN HAMMER  
T013-GN220



BLUE HAMMER  
T013-BL468



BRONZE HAMMER  
T012-BR161

**Texture:**



WHITE TEXTURE  
C031-WH120



FLINT GRAY  
TEXTURE  
T243-GR522



BLACK TEXTURE  
C241-BK109



RED TEXTURE  
T241-RD129



BLUE TEXTURE  
C241-BL544

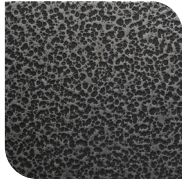


OIL RUBBED  
BRONZE TEXTURE  
T291-BR251

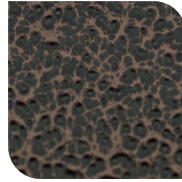
**Vein:**



BLACK/WHITE  
VEIN  
T075-WH34



SILVER VEIN  
T375-BK26



COPPER VEIN  
EXTERIOR  
T075-BK211



GOLD VEIN  
T375-BK10



COPPER VEIN  
T375-BK07

